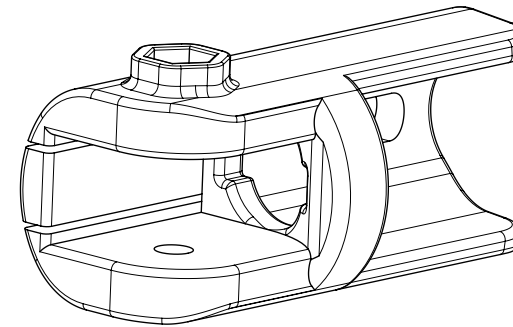
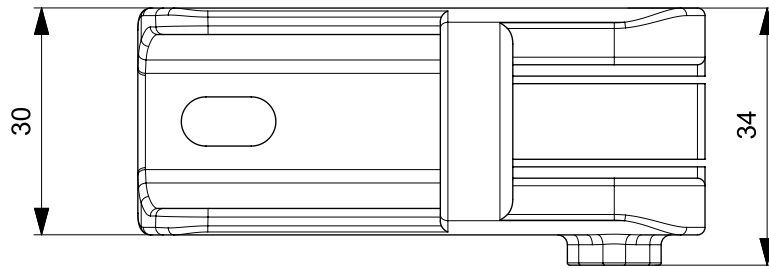
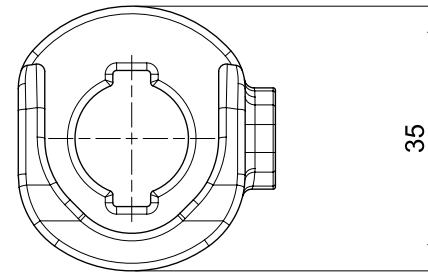
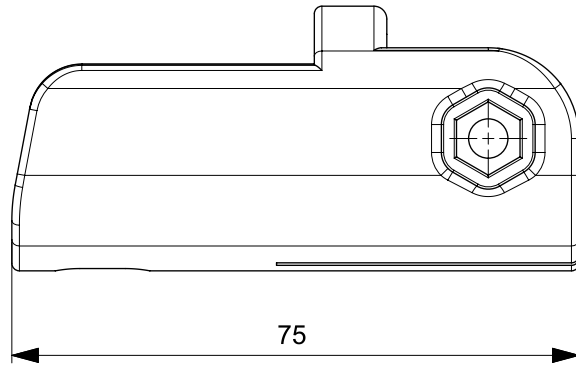
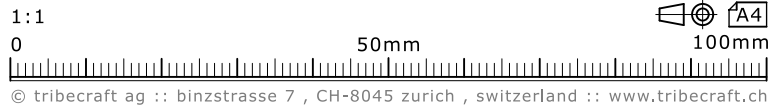


Print direction:



All measurements in millimeter



		PART NAME	VERSION
		Lasercaseholder 01	
MATERIAL	GENERAL TOLERANCES	DRAWING	DATE
ABS	DIN ISO 2768-mK	p0364-0024a-d1	08.01.2021
SURFACE	MASS	PRODUCT NAME	USAGE
	28,7 g	Volaser	
COLOR	VOLUME	Released for series production	
	27'330 mm ³	DESIGNED BY	AUTHOR
		Tribecraft AG	T. Zimmermann
		CHECKED	
		A. Lenzi	