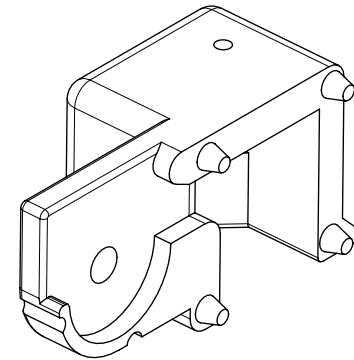
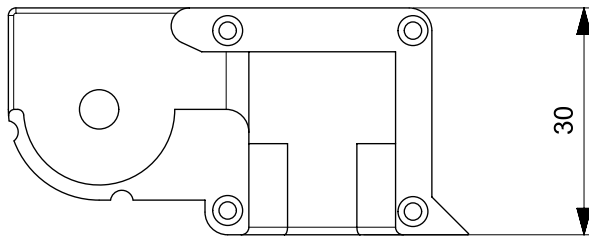
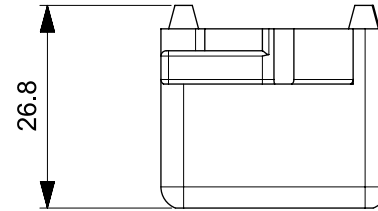
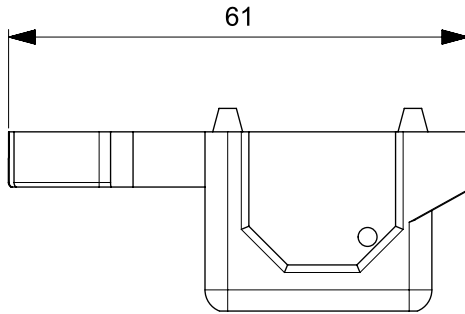
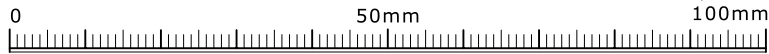


Print direction:



All measurements in millimeter

1:1



© tribecraft ag :: binzstrasse 7 , CH-8045 zurich , switzerland :: www.tribecraft.ch

		PART NAME   VERSION	
		Lasercase_left 01	
MATERIAL	GENERAL TOLERANCES	DRAWING	DATE
ABS	DIN ISO 2768-mK	p0364-0025a-d1	06.01.2021
SURFACE	MASS	PRODUCT NAME   USAGE	
	17 g	Volaser	
COLOR	VOLUME	Released for series production	
	16'150 mm <sup>3</sup>	DESIGNED BY	AUTHOR   CHECKED
		Tribecraft AG	T. Zimmermann   A. Lenzi