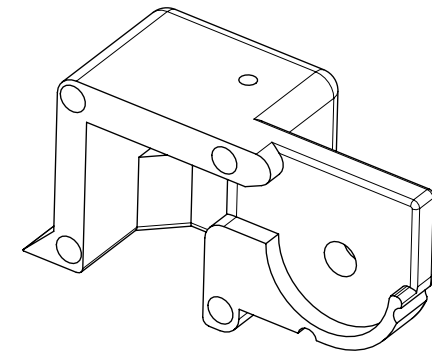
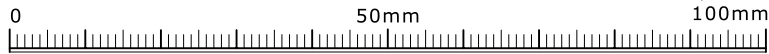


Print direction:



All measurements in millimeter

1:1



© tribecraft ag :: binzstrasse 7 , CH-8045 zurich , switzerland :: www.tribecraft.ch



		PART NAME VERSION	
		Lasercase_right 01	
MATERIAL	GENERAL TOLERANCES	DRAWING	DATE
ABS	DIN ISO 2768-mK	p0364-0026a-d1	06.01.2021
SURFACE	MASS	PRODUCT NAME USAGE	
	16,9 g	Volaser	
COLOR	VOLUME	Released for series production	
	16'060 mm ³	DESIGNED BY	AUTHOR
eawag aquatic research ooo		Tribecraft AG	T. Zimmermann
		CHECKED	
		A. Lenzi	