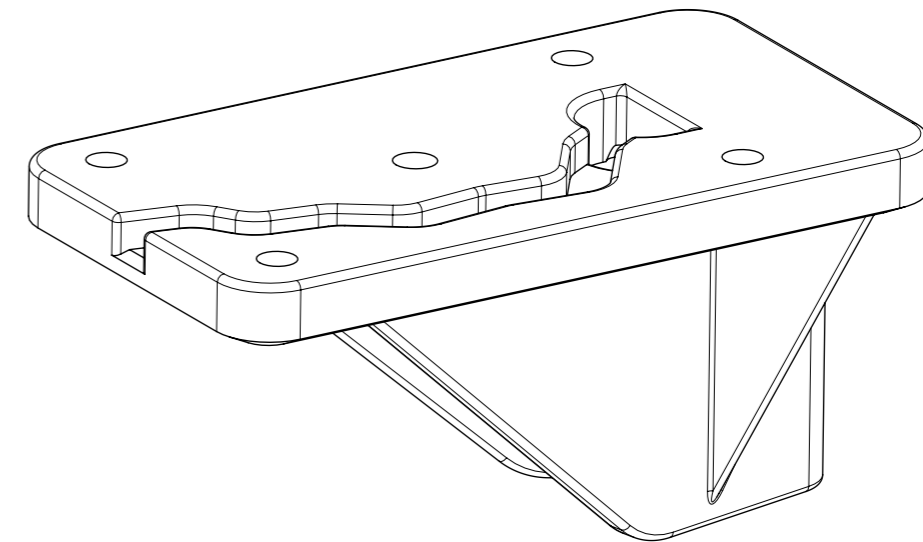
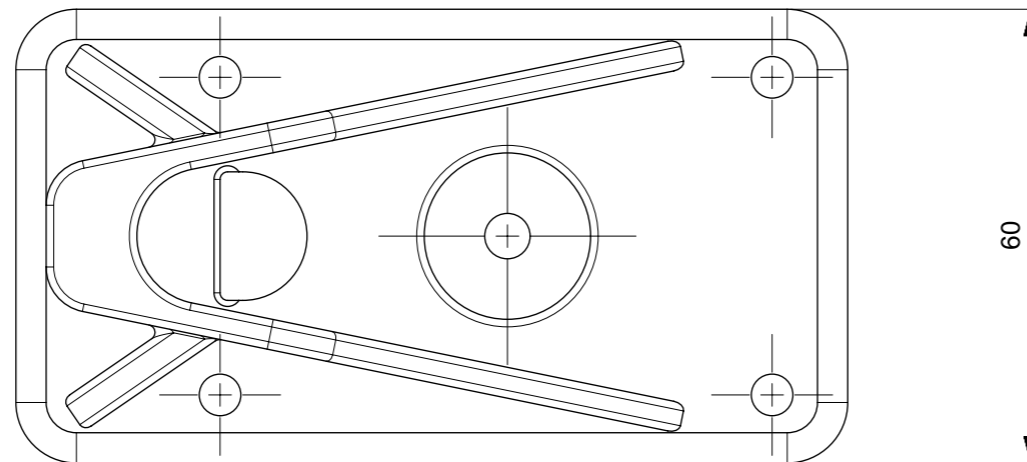
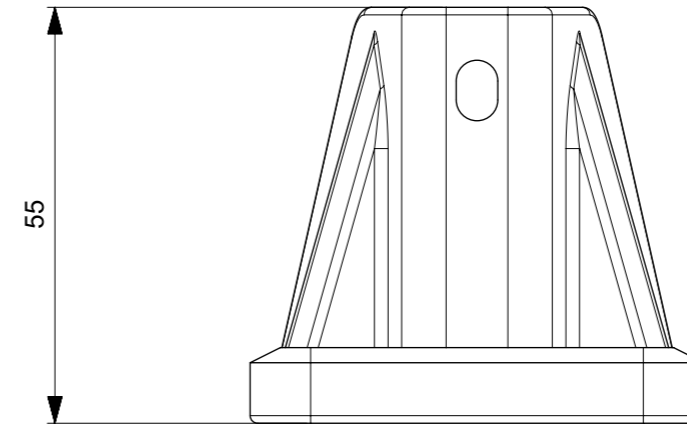
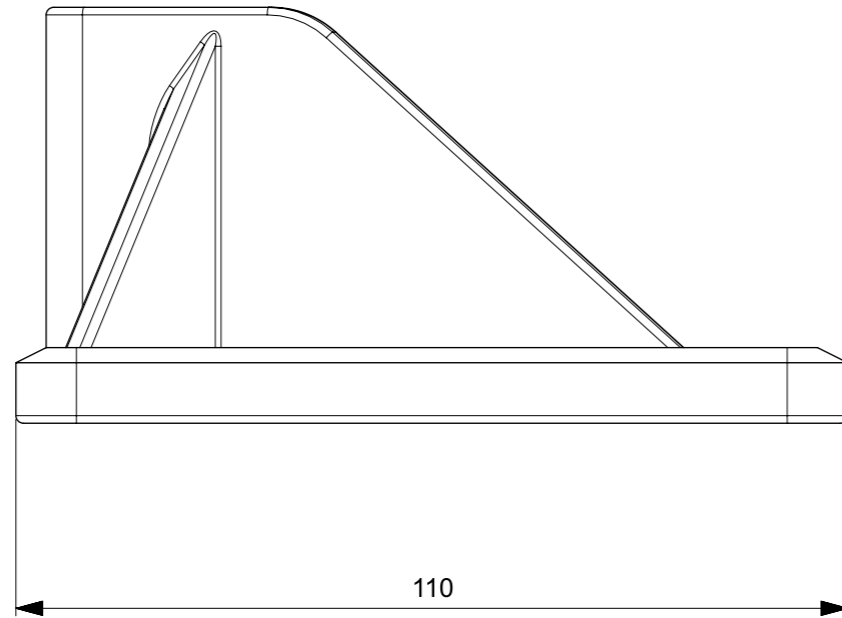
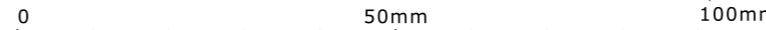


Print direction:

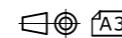


All measurements in millimeter

1:1



© tribecraft ag :: binzstrasse 7, CH-8045 zurich, switzerland :: www.tribecraft.ch



		PART NAME VERSION	
		Smartphone Protection Box Holder 01	
MATERIAL	GENERAL TOLERANCES	DRAWING	DATE
ABS	DIN ISO 2768-mK	p0364-0019a-d1	10.12.2020
SURFACE	MASS	PRODUCT NAME USAGE	
	92,8 g	Volaser	
COLOR	VOLUME	Released for series production	
	88'350 mm ³	DESIGNED BY	AUTHOR CHECKED
		Tribecraft AG	T. Zimmermann
			A. Lenzi