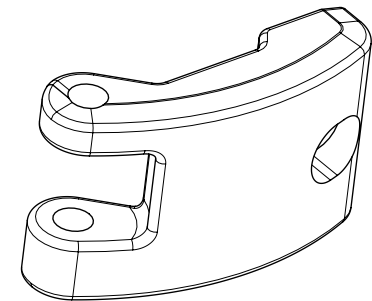
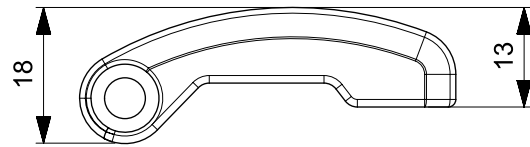
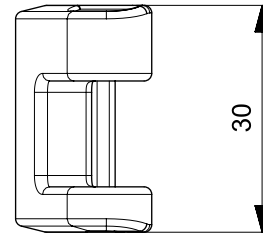
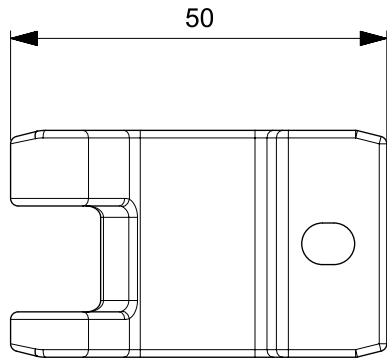
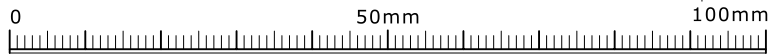


Print direction:



All measurements in millimeter

1:1



© tribecraft ag :: binzstrasse 7 , CH-8045 zurich , switzerland :: www.tribecraft.ch

		PART NAME VERSION	
		Tubeholder_clamp 01	
MATERIAL ABS	GENERAL TOLERANCES DIN ISO 2768-mK	DRAWING p0364-0021a-d1	DATE 10.12.2020
SURFACE	MASS 12,4 g	PRODUCT NAME USAGE	
COLOR	VOLUME 11'840 mm³	Volaser	
eawag aquatic research ooo		Released for series production	
		DESIGNED BY Tribecraft AG	AUTHOR T. Zimmermann
		CHECKED A. Lenzi	