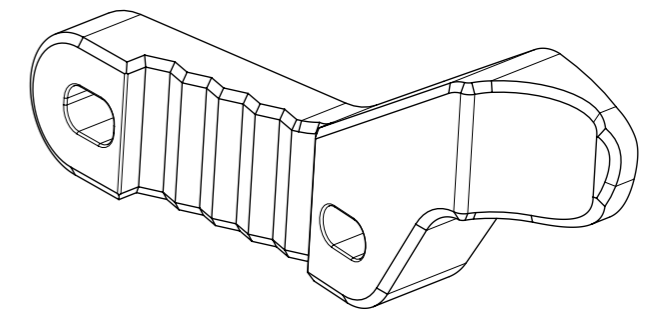
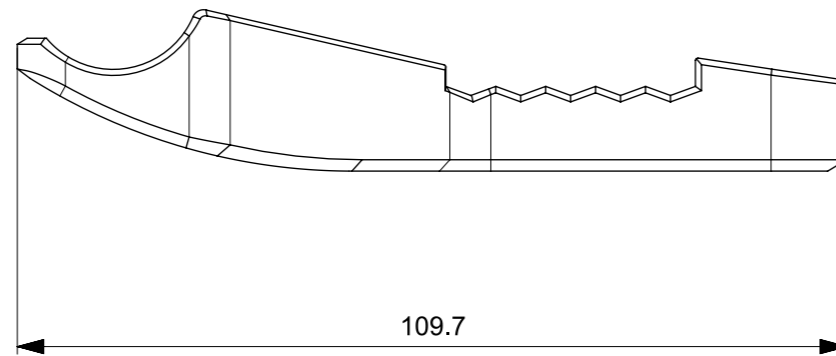



Print direction:



All measurements in millimeter

		PART NAME VERSION	
		Tubeguide_clamp_left 01	
MATERIAL	GENERAL TOLERANCES	DRAWING	DATE
ABS	DIN ISO 2768-mK	p0364-0029a-d1	10.12.2020
SURFACE	MASS	PRODUCT NAME USAGE	
	28,5 g	Volaser	
COLOR	VOLUME	Released for series production	
	27'110 mm ³	DESIGNED BY	AUTHOR
		Tribecraft AG	T. Zimmermann
		CHECKED A. Lenzi	

