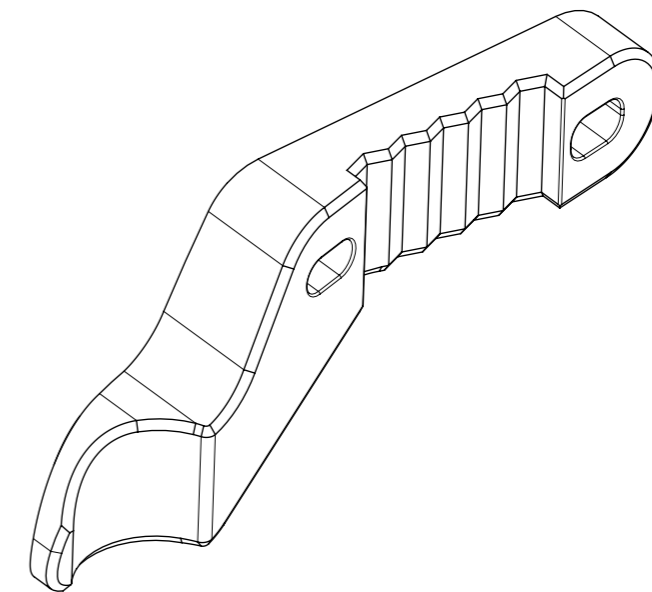


Print direction:



All measurements in millimeter



© tribecraft ag :: binzstrasse 7 , CH-8045 zurich , switzerland :: www.tribecraft.ch

		PART NAME   VERSION	
		Tubeguide_clamp_right 01	
MATERIAL	GENERAL TOLERANCES	DRAWING	DATE
ABS	DIN ISO 2768-mK	p0364-0030a-d1	10.12.2020
SURFACE	MASS	PRODUCT NAME   USAGE	
	28,1 g	Volaser	
COLOR	VOLUME	Released for series production	
	26'730 mm <sup>3</sup>	DESIGNED BY	AUTHOR
		Tribecraft AG	T. Zimmermann
		CHECKED	
		A. Lenzi	