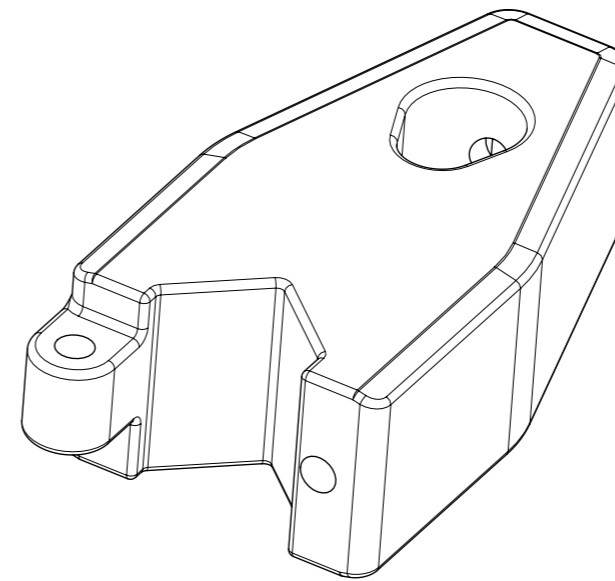
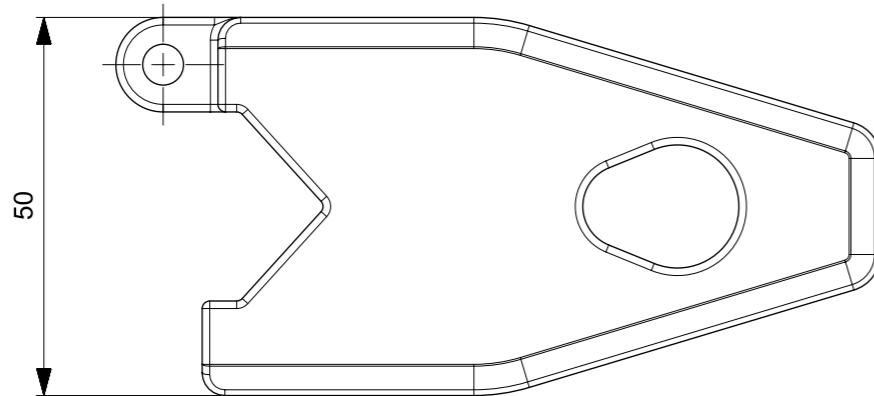
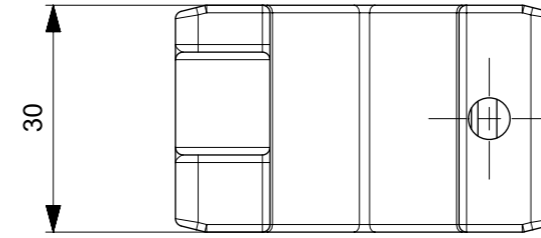
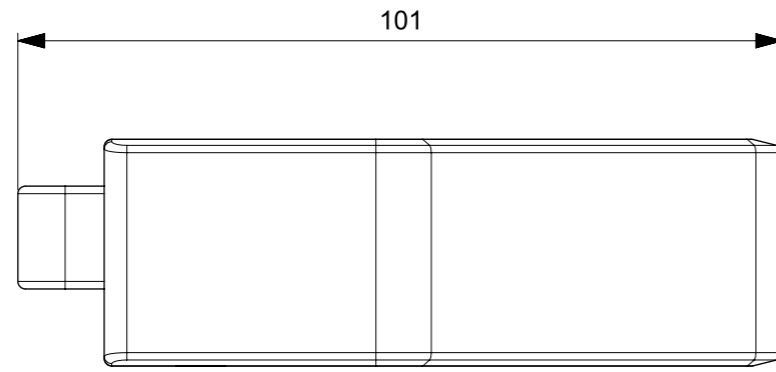


Print direction:



All measurements in millimeter



© tribecraft ag :: binzstrasse 7 , CH-8045 zurich , switzerland :: www.tribecraft.ch

		PART NAME VERSION Tubeholder 01	
MATERIAL ABS	GENERAL TOLERANCES DIN ISO 2768-mK	DRAWING p0364-0020a-d1	DATE 10.12.2020
SURFACE	MASS 77,1 g	PRODUCT NAME USAGE Volaser	
COLOR	VOLUME 73'470 mm³	Released for series production	
eawag aquatic research ooo		DESIGNED BY Tribecraft AG	AUTHOR CHECKED T. Zimmermann A. Lenzi